

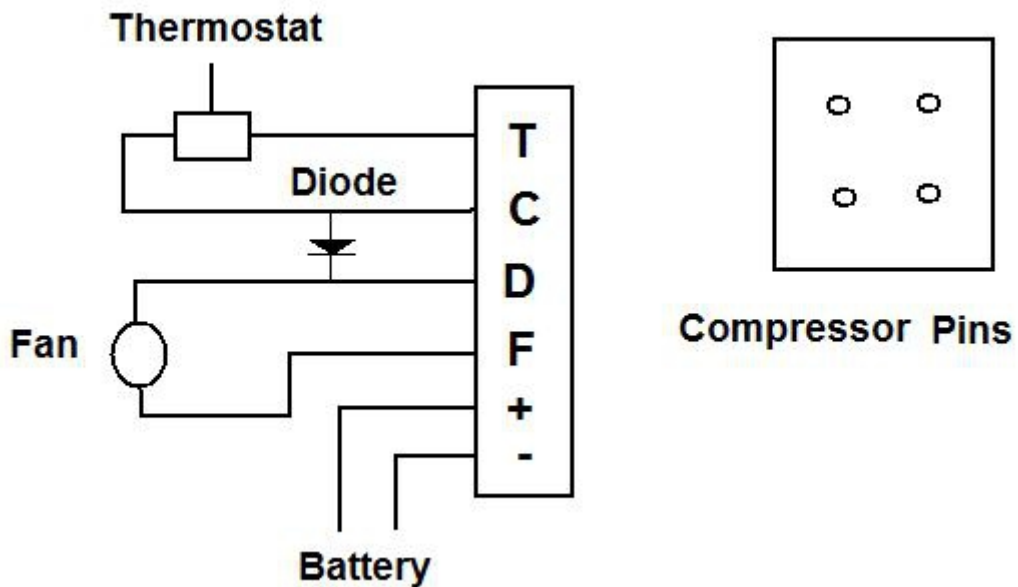
Danfoss 2,5 Compressor

An early version before the DB35 compressor.

Run only on 12V (not 24V)

Compressor 102Z3012 and PCB 102N3016.

Danfoss/Secop do not have any info on there sites. These units are now obsolete and parts are no longer available, except for one variation on the PCB from Penguinfrigo.co.uk, have some repair information.



Any body with any info on repair will be acknowledge