

## Addition to T9

Disklex Global 300 PCB connections

Press SW	Y	B8 F1 23
SW (N)	Or	B2 P2 22
Dispenser	Y	B1 A22
Hot	Pk	
Drain	Bu	
Wash	R	
Heat	Gy	B5 H22
Active	Or	B4 XA 22
Neutral	Gy	

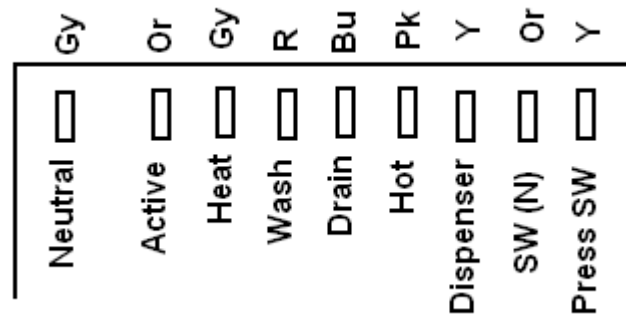


Illustration 1: Global 300 PCB Connections

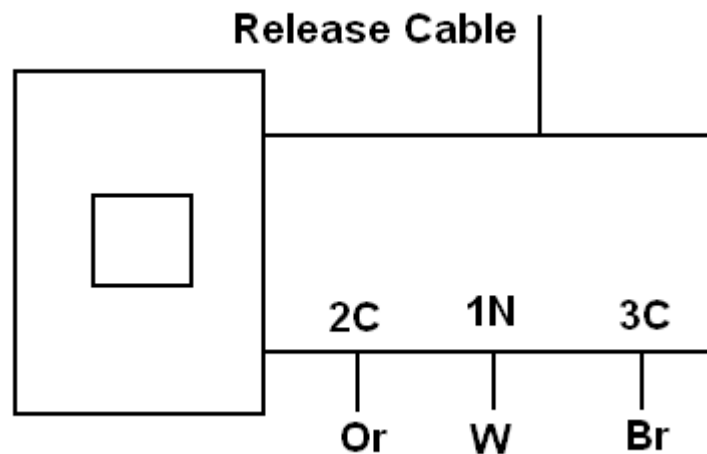


Illustration 2: Bosch Door Interlock (Model WFB2000)

## Addition to R6-B

### Removing the Bottom Panel

1. Lay the machine on its back.
2. Remove the bottom plastic cover by undoing the screw next to the pump cleaning plug. Unclip the left hand side plastic cover and **slide to the right** (plastic lug).
3. Remove the bottom panel by unscrewing the four adjustable legs and the eight screws holding it on.

### Pump Replacement

1. Remove the bottom panel as above.
2. The pump is a synchronous pump but the dimension where it clips onto the pump housing is slightly different to prevent the use of a standard pump. A genuine expensive pump is required

## This section extended

### T12 Fisher and Paykel Dishdraw

T12.1 These consist of a very small capacitor(?) run motor/pump, the capacitor being on the PCB. Access to the motor is inside the open draw and remove spray to clean it.

1. Open the draw and lift the basket from the back to prevent damage to the soap dispenser.

2. Lift the spray arm off and clean if necessary.
3. Rotate the filter rings and lift off. Clean the filters. (Instructions in user manual, operator can do this.)
4. Remove and clean the pump impeller.
5. Reassemble is the reverse. There are marks to for correct fitting.
6. Lower the front edge of the basket in first.

T12.2 Remove the draw (For DS603, others will be similar, model plate at bottom when draw is opened )

1. The front panel is removed by using a pair of pliers to remove plastic pins on the side of the draw.
2. Pull the front panel down and out at the bottom. This exposes the front electronics etc.
3. Press the plastic clips at the side and slide the rail forward. Do the other side.
4. With the rails pushed most of the in the draw can be lifted off and placed on the floor.
5. Empty water into bucket and turn on side, a plastic cover is held on by 3 plastic clips and is “hinged” at the back by plastic lugs.
6. The drain hose is held in to the drain pump housing outlet pipe by plastic clips and sealed with an “O” ring.
7. Reassembling is the reverse. Pull the rails out and place the draw on it. The plastic draw has slots for the rail. Push the draw all the way in and the plastic clips in “3” will lock.

T12.3 If the whole unit is to be removed, undo 4 screws on the side that screw into the cupboard. They are located near the bottom and at the front and back.

T12.4 Not draining. Clean the pump (T12.1), clean the drain hose (T12.2). The hose is a small diameter. If necessary remove unit also (T12.3), try blowing out the blockage first.